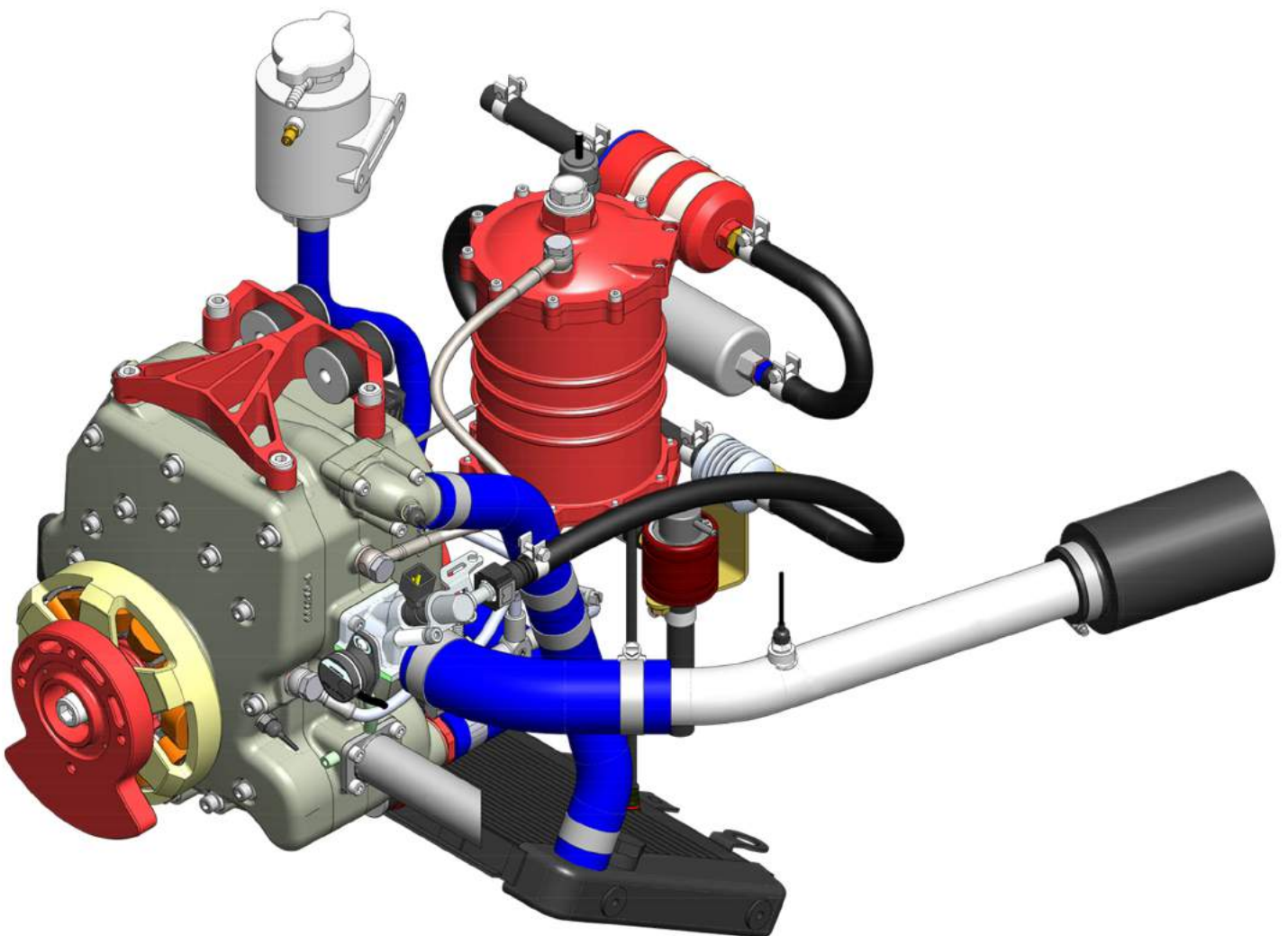


# Wankel Rotary Engine **225CS - 017 40 BHP**





## About AIE

Advanced Innovative Engineering are the latest incarnation of a Wankel rotary engine development, design and manufacturing heritage that stretches back to Norton in the 1960s and beyond. Our combined 100 years' experience in engineering research and design across a number of industries means that we can offer you a wealth of world-class knowledge and expertise that you won't find elsewhere.



## We'll design, build and test the right solution for your requirements

Our first job is always to establish exactly what you need. We'll then design, build and test a product designed around your requirements. We'll turn your concept into reality using cutting-edge software, systems and manufacturing capability, all based at our state-of-the-art facility in the heart of the UK's advanced manufacturing industry.

You'll benefit from a high quality, cost-effective solution built by engineers with decades of experience. Engines developed by the team at AIE have been used in applications as diverse as motorcycles and Unmanned Aerial Vehicles (UAVs). Our engineers have developed propulsion systems that have seen over one million flight hours of operational service.

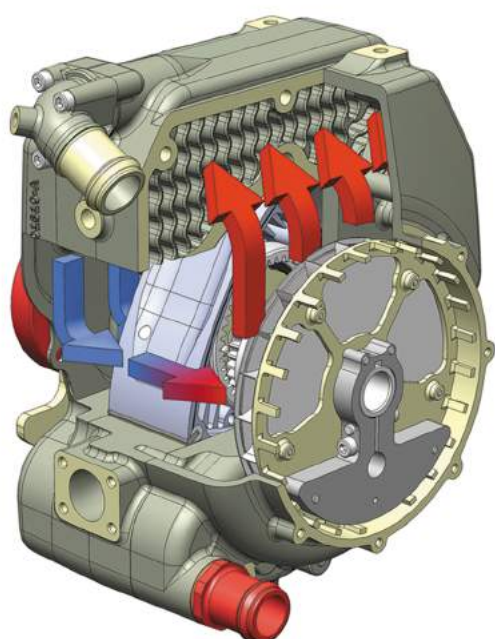
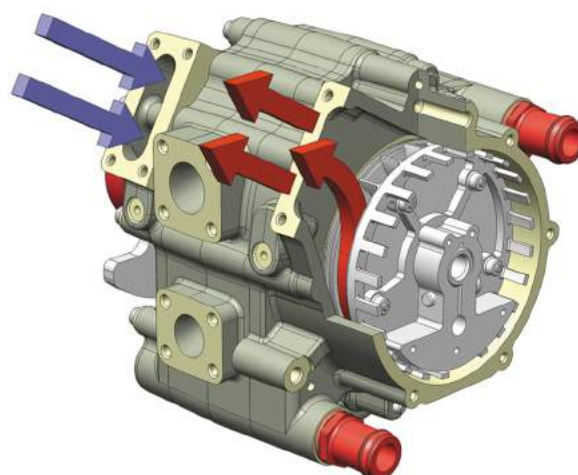


# Revolutionary Technology

The unrivalled power and durability of AIE lightweight rotary engines are made possible through the use of revolutionary new technologies that effectively eliminate drawbacks found in many other rotary engine developments. Access to the latest inventions from leading names in rotary engine design together with advanced manufacturing capabilities enable AIE to pass on unique benefits to their customers through patented technology as detailed below.

## SPARCS

AIE patented SPARCS (Self-Pressurising-Air Rotor Cooling System) is rewriting the rules in rotary engine design with the advanced ability to utilise pressurised gases from the combustion process as a cooling medium. By means of an external heat exchanger to deliver superior heat rejection and a completely sealed engine core, SPARCS provides AIE Wankel rotary engines with longer engine life and zero wet oil loss for increased performance.

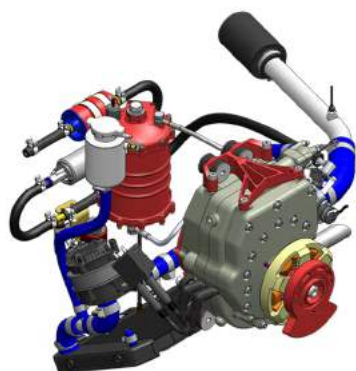


## Compact SPARCS

A marvel in lightweight engine development, AIE patented Liquid-Cooled Compact SPARCS (Self-Pressurising-Air Rotor Cooling System) delivers exceptional thermal balancing with surprisingly small form factor and fewer components. Utilising a pressurised oil-gas mixture and internal heat exchanger, Compact SPARCS efficiently rejects heat from the engine core to its main liquid cooling system, resulting long engine life in a lightweight package.



# AIE 225CS Wankel Rotary Engine



## 225CS - 017 (Gasoline + 2kW Generator)

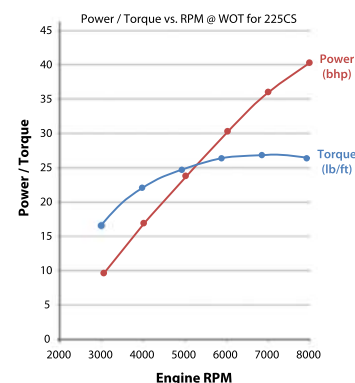
The world-class 225CS – 40 BHP rotary engine that delivers market-leading performance in terms of power, weight, efficiency and reliability. Combining all the advantages of a Wankel rotary engine with our patented Compact SPARCS cooling system, you benefit from a clean and powerful engine that offers low total cost of ownership.

### Specifications

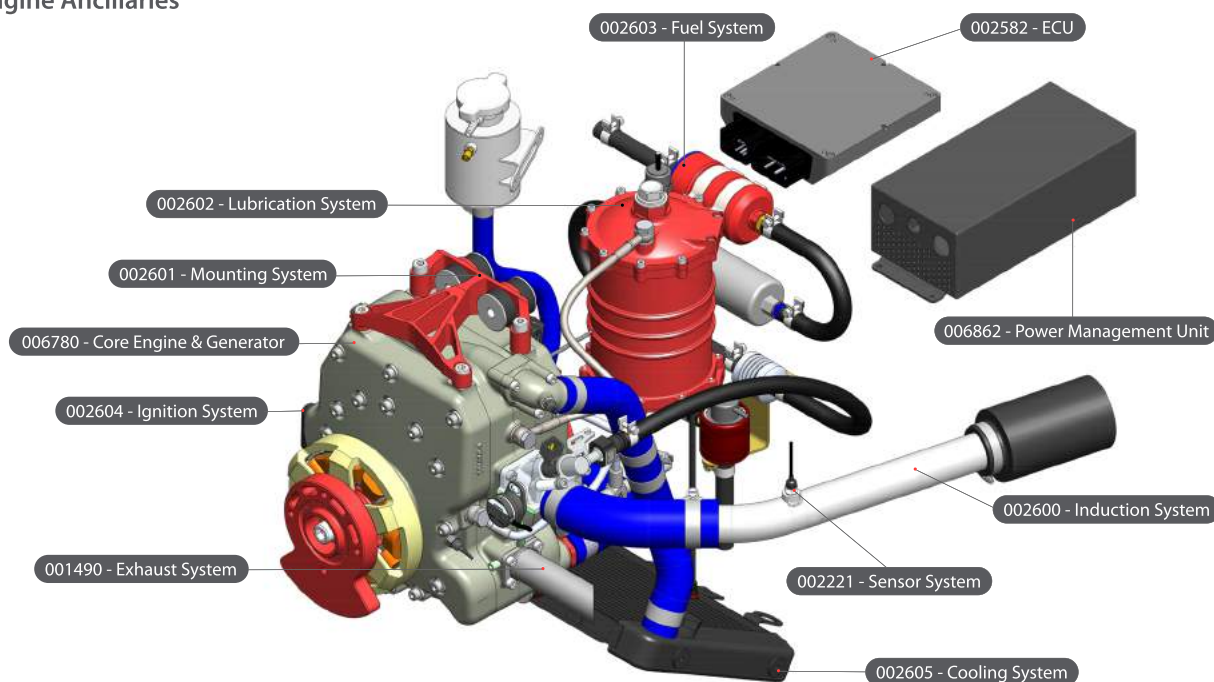
Engine Type	Single Rotor	Cooling System	Liquid-Cooled Patented SPARCS*
Power Output	40 bhp (30 kW)	Ignition System	Twin Spark Plug
Core Engine Weight	22 lb (10 kg)	Engine Control System	Full Electronic Engine Management
System Dry Weight	46.7 lb (21.2 kg)	Oil System	Digitally Optimised Lubrication
Displacement	13.7 cu in (225cc)	Core Engine Dimensions	339 mm x 274 mm x 213 mm
Fuel Type	Gasoline	Generator	2 kW

\*Self-Pressurising-Air Rotor Cooling System

### Performance



### Engine Ancillaries





# Engine Ancillary Details for 225CS



## Core Engine & Generator

Part No: 006780  
Weight: 26.9 lb (12.22kg)



## Ignition System

Part No: 002604  
Weight: 0.75 lb (0.34kg)



## Sensor System

Part No: 002221  
Weight: 0.56 lb (0.25kg)



## Mounting System

Part No: 002601  
Weight: 1.46 lb (0.66kg)



## Cooling System

Part No: 002605  
Weight: 5.30lb (2.40kg)



## ECU

Part No: 002582  
Weight: 0.83 lb (0.38kg)



## Induction System

Part No: 002600  
Weight: 1.41 lb (0.64kg)



## Fuel System

Part No: 002603  
Weight: 2.84 lb (1.29kg)



## Oil System

Part No: 002602  
Weight: 3.92 lb (1.78kg)



## Exhaust System

Part No: 001490  
Weight: 0.26 lb (0.11kg)



## Power Management Unit

Part No: 006862  
Weight: 2.75 lb (1.25kg)

\*Component sizes are not shown to scale



# Contact Us

## Advanced Innovative Engineering (UK) Ltd

Unit 2, Ringway Industrial Estate  
Eastern Avenue, Lichfield. WS13 7SF  
United Kingdom

T: +44 (0) 1543 420700 Email: enquiry@aieuk.com  
www.aieuk.com

# Worldwide Dealers

## UNITED STATES

### HFE INTERNATIONAL

8060 E Research Ct,  
Tucson, AZ 85710 USA  
Office: +1 520.578.0818  
Email: contactus@hfeinternational.com

## TAIWAN

### TAIWAN HUATAI LIGHT AIRCRAFT CO LTD

#99, Chung Yang 7th, Hsin Tein, Taipei, 231  
Taiwan, R.O.C  
Office: +886-2-2219-2842  
Mobile: +886-910-315215  
Wechat ID: oldbearpilot  
LINE ID: oldbearpilot  
www.rotaryengine.com.cn

## CHINA

### KUNSHAN HUATAI LIGHT AIRCRAFT CO. LTD

#1 Xiang Yun Rd  
KUNSHAN Aviation industry park  
Dian Shan Lake, KunShan, Jiang Su province  
Office: +86-0512-5705-1676  
Mobile: +86-180-5002-9168  
Wechat id : ht54321  
Customer Service:  
Wechat ID: luwanqian001

## KOREA

### KSC – KOREAN SPACE CORPORATION CO. LTD

17F, 134 Teheran-ro, Gangnam-gu  
Seoul, 06235 Rep. of Korea  
T +82.2.2015.7757  
M +82.10.7189.1473  
www.koreanspace.co.kr

